



## **JG 5001 GRABBER FOR INFIELD COLLECTION**

- High speed hydraulic system of low pressure type (105 bar) for longer service life and reduced maintenance costs.
- HIAB JET GRABBER 2.8 covers a 5.6m working area.

### **QUALITY DESIGN**

- Computer aided design and robot welded high tensile steel means lowest weight and highest quality.
- Hydraulic buffer system in outer boom cylinder to improve durability.
- Integrated hydraulic shock absorber system to ensure long lifetime.
- Lifetime fatigue tested in Hiab's advanced test laboratories.
- Heavy duty rack and pinion rotating system.

**NEW**

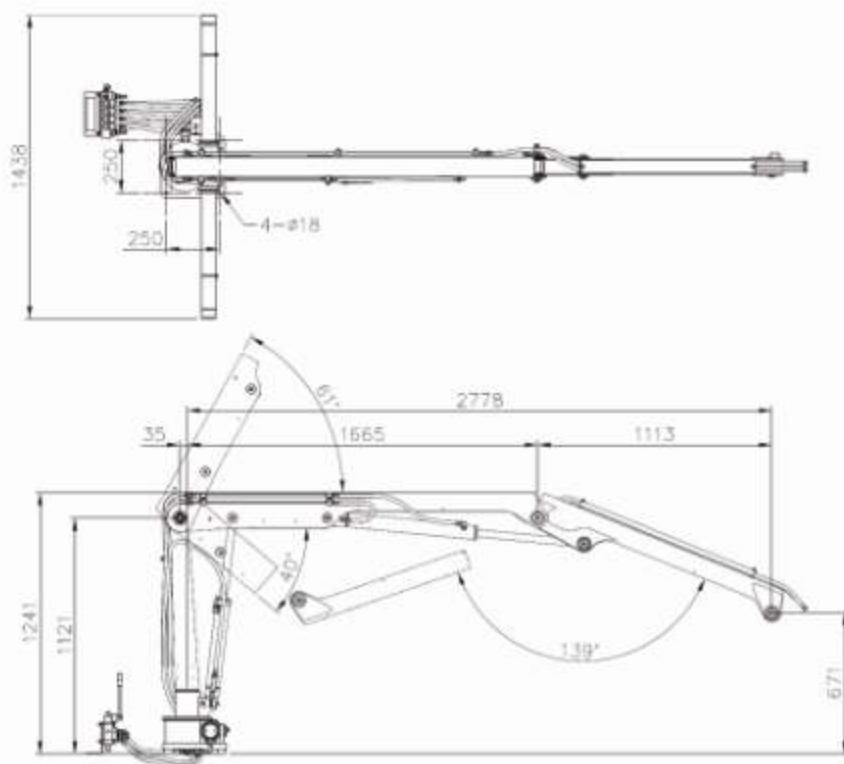
**PT WAHANA INTI SELARAS**  
Operational Office : Green Setayu Blokpark, Blok GS 3/2B,  
Jl. Cakung Cilincing Timur Raya KM 2, Jakarta 13910  
Phone : (+6221) 2983 2045, 2983 2113  
Email : admin\_sales@wbgroup.indomobil.co.id  
Website : www.jchntiare.indomobil.com

Authorized Dealer for John Deere Asia Pte Limited  
Tractor - Farm Equipment

**NEW**

# JG 5001 GRABBER FOR INFIELD COLLECTION

Description	Unit	Specification
Max. lifting capacity	tm	0.45
Max. outreach	m	2.8
Outreach / Lifting capacity	m / kg	2.0 / 225
		2.8 / 160
Type of boom		In line type
Boom liftingspeed / angle	m/sec./ degree	1m/sec. / -50~51
Slewing torque / Angle	kNm / degree	1.05 / 330
Type of rack & pinion for slewing system		Single
Working pressure	bar	115
Recommended oil flow	liter / min.	12
Slewing speed	degree / sec.	30
Type of control		Lever
Type of stabilizer		leg
Recommended oil tank capacity	liter	40
Weight "standard" crane without oil tank & stabilizer	kg	185, Approx.



For further information please contact



**PT WAHANA INTI SELARAS**

Operational Office : Green Sedaya Bizpark, Blok GS 3/3B,

Jl. Cakung Cincing Timur Raya KM 2, Jakarta 13910

Phone : (+6221) 2983 2045, 2983 2113

Email : admin\_sales@wieselgroup.indomobil.co.id

Website : www.johncoere.indomobil.com

Authorized Dealer for John Deere Take Pte Limited  
Tractor - Pallet Equipment



**HIAB**